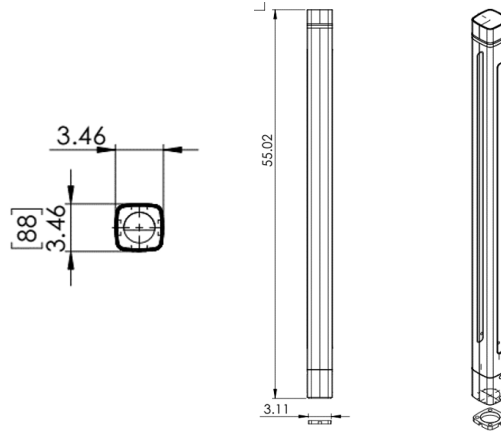


Specification Sheet

EVOLVE iR S20



Product Description	Pedestal iR S20
Part No:	10057059
Antenna Dimensions (HxWxD):	1400mm x 88mm x 88mm (55.12" x 3.46" x 3.46")
Approx Weight:	9.5kg (21lbs)
Power Requirements:	100-240 vac; 1.5A @50-60Hz
Power Consumption (typical -per controller):	Typical: 17.5W @ 120V, 15W @240V
Power Consumption (max):	Max: 50W @ 120V and 240V
Operating Temperature:	0° to 40° C (32° - 104° F)
Frequency Technology:	Radio Frequency (RF)
Frequency Ranges:	8.2 MHz EU (7.2 to 9.5 MHz NA)
Antenna Safety:	CB; UL/cUL
Emissions Safety:	FCC/IC; CE
LED color options:	Red (R:255, G:105, B:126) Green (R:92, G:255, B:203) Blue (R:111, G:156, B:255) Yellow (R:206, G:255, B:140) Purple (R:254, G:119, B:255) Teal (R:117, G:237, B:254) White (not measured)
Materials:	Antenna Body - ABS Plastic
Antenna body color	White Black (RAL 9005)
Maximum distance between 2 frames*	2.1m (6'10")
Detection area on each side of single frame*	1.0m (3'3")

* Reference Data - Checkpoint EP 410 label (depending on environment)